



LKA SERIES

80W/100W/120W/150W



Remote control



Energy saving



Solar charging



High brightness



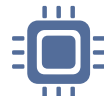
Outdoor rainproof



High capacity battery



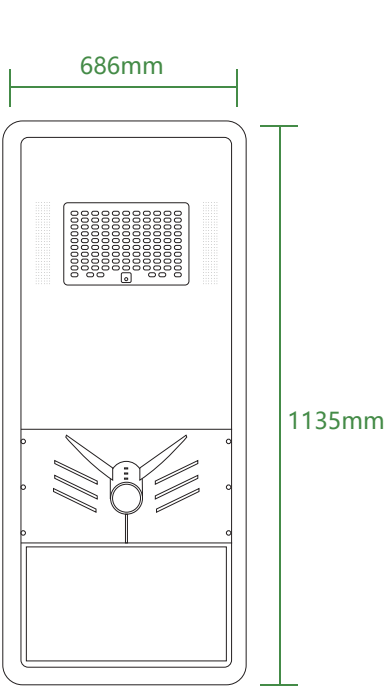
Die-cast aluminum



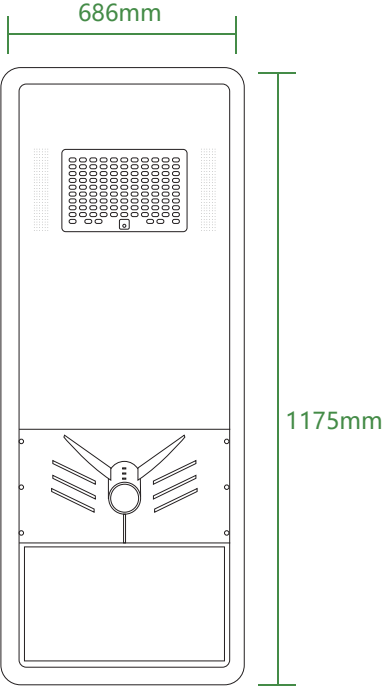
Long service life

ALL IN ONE SOLAR STREET LIGHT

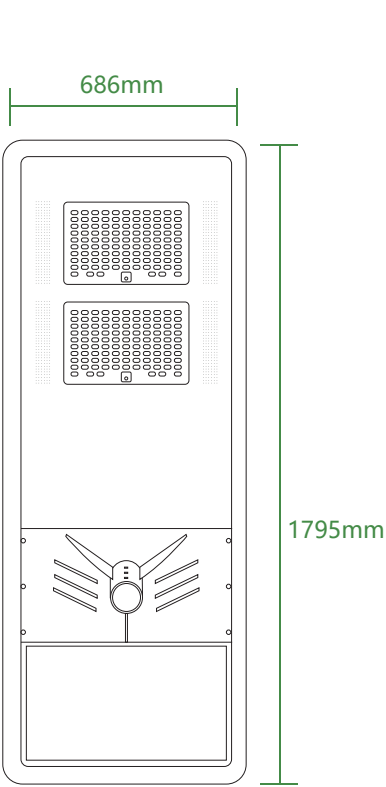
PRODUCT SIZE



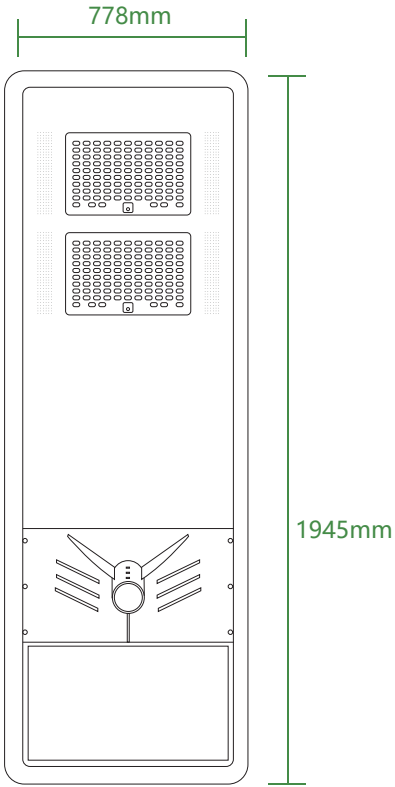
80W



100W



120W



150W

PRODUCT HIGHLIGHTS

1. Easy Installation & Maintenance

Simple setup with easily replaceable battery compartment
User-friendly design for convenient servicing

2. Long-Lasting Power Supply

High-performance Lithium LiFePO₄ battery
Provides reliable operation for 4-7 rainy days without sunlight

3. Premium Battery Performance

Brand new battery cells with:

- 2,500+ charge cycles
- 6-8 year lifespan

4. Superior Lighting Performance

High-efficiency output up to 220 lm/W
Equipped with genuine 4 cores high efficiency

5. Advanced Solar Charging System

Monocrystalline silicon solar panels
Integrated MPPT controller for fast charging (4-6 hours)
Maximizes energy conversion efficiency

6. Exceptional Durability

50,000+ hour lifespan
Designed for long-term reliability

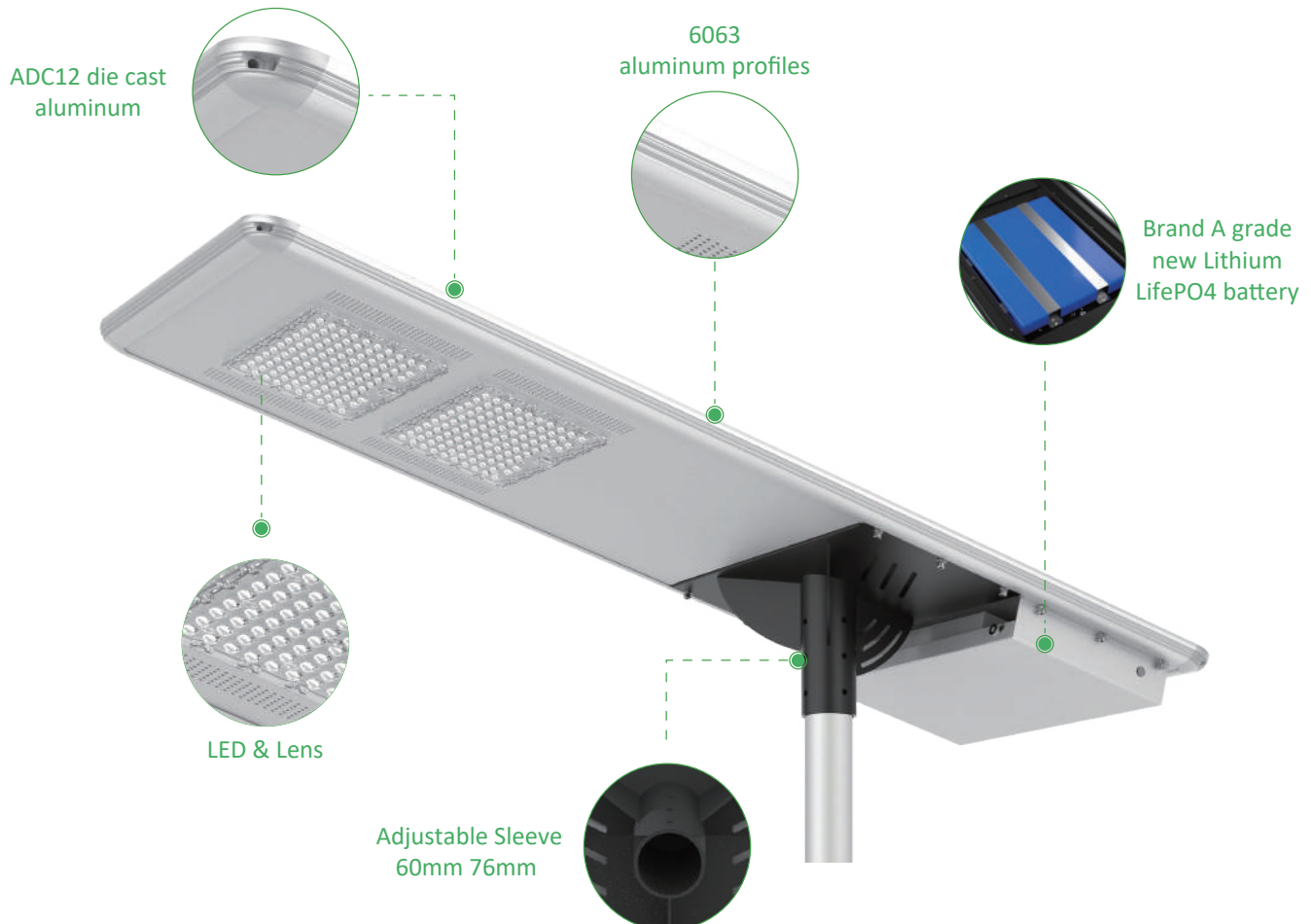
7. Optimal Light Quality

High-transmittance optical lens provides:

- Soft, uniform illumination
- Excellent light distribution
- Extended product longevity



FUNCTION INTRODUCTION



TECHNICAL DATA



LM-80



MODEL NUMBER	LKA-80W	LKA-100W	LKA-120W	LKA-150W
Power	80W	100W	120W	150W
Solar Panel	18V/150W Mono	36V/180W Mono	36V/240W Mono	36V/300W Mono
Solar Panel Size	1130*679*4mm	1370*679*4mm	1790*679*4mm	1940*770*4mm
Battery	Lithium iron phosphate 12.8V 60AH(768wh)	Lithium iron phosphate 25.6V 45AH(1152wh)	Lithium iron phosphate 25.6V 60AH(1536wh)	Lithium iron phosphate 25.6V 75AH(1920wh)
LED	SMD5050, 105PCS	SMD5050, 105PCS	SMD5050, 210PCS	SMD5050, 210PCS
Product Size	1135*686*280mm	1375*686*280mm	1795*686*280mm	1945*778*280mm
Optional lighting mode	Intelligent control + segmented time control			
Material	Die casting Aluminum + PMMA			
Efficacy	220LM/W			
Solar panel conversion efficiency	23.8%			
Luminous Flux	17600LM	22000LM	26400LM	33000LM
Controller	MPPT optional			
Light angle	75*155° / transmittance: >95%			
Temperature	0-55°C			
Discharge time	3-5 rainy days			
Installation Height Recommended	8-10m	10-12m	12-14m	14-18m

APPLICATIONS

- Road Lighting
- Industrial Parks roads
- Highways
- Urban street
- Countryside
- Sidewalk
- Car parks